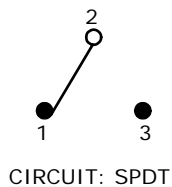
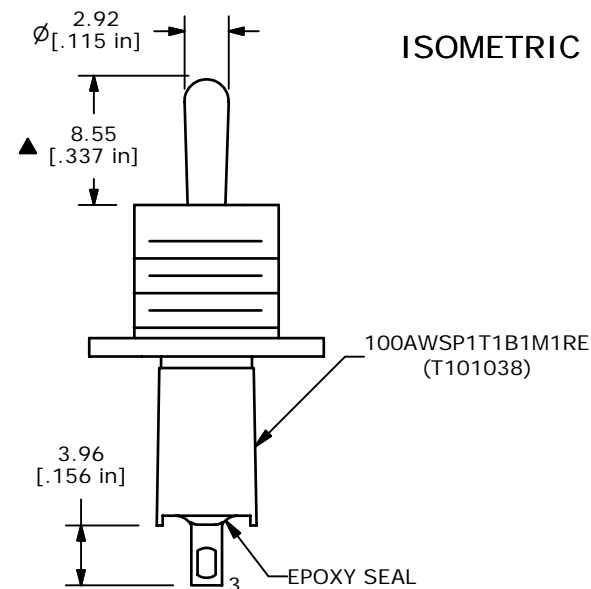
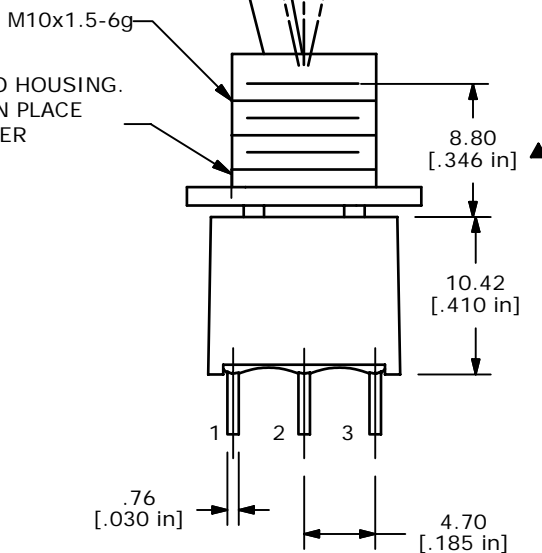


ISOMETRIC

SWITCH FUNCTION		
POS. 1	POS. 2	POS. 3
ON	NONE	ON
2-3	OPEN	2-1



▲ BUSHING TO BE FLUSH TO HOUSING.
 LOCKTITE BUSHING IN PLACE
 BUSHING ADAPTER
 (T100022)



- NOTE:
1. ALL DIMENSIONS IN MM [INCH]
 2. GENERAL TOLERANCE: X.X=±0.4
X.XX=±0.25
 3. TERMINAL NUMBERS FOR REF ONLY
 - ▲ 4. PLATING MATERIAL: GOLD
 5. RATING: 0.4 (VA) MAX. @20V MAX.
 6. ELECTRIC LIFE: 40,000 MAKE-AND-BREAK CYCLES AT FULL LOAD.
 7. INSULATION RESISTANCE: 1,000 MEGA-OHM MIN.
 8. DIELECTRIC STRENGTH: 1,000 V RMS @SEA LEVEL.
 9. OPERATING TEMP.: -30°C to 85°C
 10. ▲DENOTES CRITICAL PARAMETER.
 11. HARDWARE TO BE SUPPLIED BULK:
 T100021- LOCK WASHER QTY-1
 T100010- HEX NUT QTY-1
 T100009- O-RING QTY-1



TITLE 100AWSP1T1B1M1REH SPECIAL BUSHING				
SCALE 2:1	DATE 11/16/2005	DR PH	DWG ST101038	REV A

A	15535	RELEASED FOR PRODUCTION	11/16/05	PH
REV	PCR NO	DESCRIPTION	DATE	BY

THE INFORMATION CONTAINED IN THIS DOCUMENT IS PROPRIETARY TO E-SWITCH AND IS NOT TO BE COPIED OR TRANSFERRED